

COPYRIGHT OVER ALL DESIGNS AND DRAWINGS SHALL REMAIN THE PROPERTY OF THE ARCHITECT. THEY ARE PRODUCED SOLELY FOR THE USE OF OUR CLIENT AND MAY NOT BE REPRODUCED IN ANY FORM OR LOANED, WITHOUT PRIOR WRITTEN PERMISSION.

ALL RELEVANT DETAILS, LEVELS AND DIMENSIONS ARE TO BE CHECKED ON SITE PRIOR TO COMMENCEMENT OF WORK. ANY DISCREPANCIES ARE TO BE BROUGHT TO THE ATTENTION OF THE ARCHITECT.

THIS DRAWING TO BE READ IN CONJUNCTION WITH DOOR, FITTINGS & FINISHES SCHEDULES AND CEILING LAYOUTS (IF AVAILABLE).

THIS DRAWING TO BE READ IN CONJUNCTION WITH ELECTRICAL, STRUCTURAL AND NET SERVICES ENGINEERS DRAWINGS.

THE ARCHITECT ACCEPTS NO RESPONSIBILITY FOR ERRORS RESULTING FROM MISINTERPRETATION OF THE DRAWINGS.

ALL WORK TO BE CARRIED OUT STRICTLY IN ACCORDANCE WITH NATIONAL BUILDING REGULATIONS AND LOCAL AUTHORITY REGULATIONS.

ALL DIMENSIONS ARE GIVEN IN MILLIMETRES.

WRITTEN DIMENSIONS ARE TO TAKE PREFERENCE OVER SCALED DIMENSIONS.

DESCRIPTION OF REVISION NUMBERS:

A,B,C	PRE-CONSTRUCTION ISSUE
0	FIRST CONSTRUCTION ISSUE
1,2,3	CONSTRUCTION ISSUE

REVISIONS

REV	DATE	DESCRIPTION	BY

STATUS:

FOR INFORMATION



tel : 083 786 1235 e-mail : mahomed@v-arc.co.za
p.o. box 1046, wandsbeck, 3631

PROJ TITLE: *****

PROJ DESCRIPT: TEMPLATE

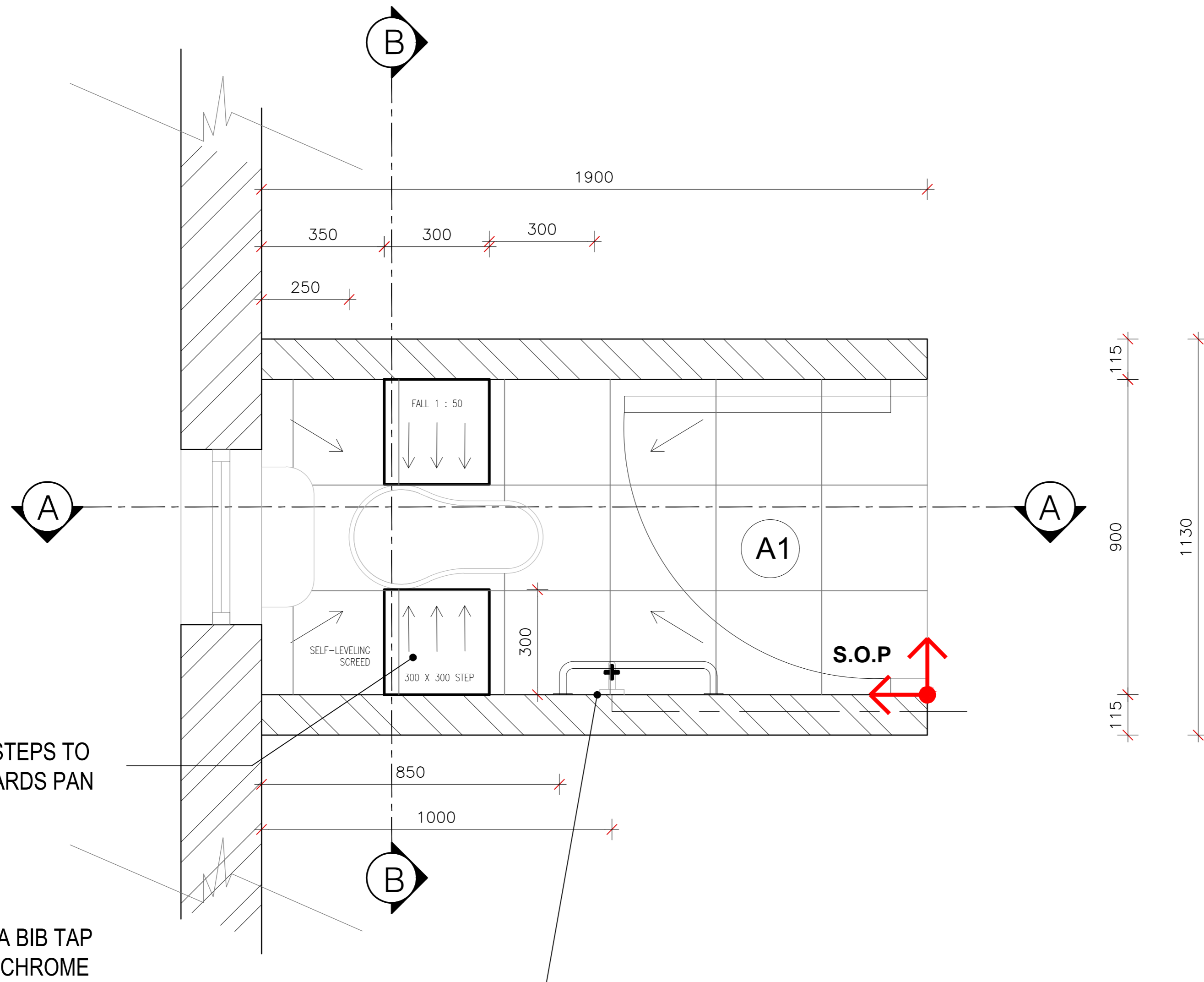
ERF: -----

LOCATION: -----

CLIENT: -----

**ABLUTION
LOW PAN TOILET - PLAN VIEW**

1:10	2019/15/03	MP	MV
SCALE	DATE	DRAWN	CHECKED
-----	WL	1000	1
PROJ. NO.	WKSTG	DRAWING NO.	REV



BOTH FOOT STEPS TO FALL TOWARDS PAN

COBRA STELLA BIB TAP EXTENDED. CHROME FINISH (CP). SUPPLIER: COBRA CODE: 3306ST/EXT-15. HAND RAIL ABOVE TAP.

**ABLUTION - LOW PAN TOILET
FLOOR PLAN LAYOUT
SCALE 1:10**

FLOOR FINISHES LEGEND	
SYMBOL	DESCRIPTION
(A1)	FLOOR TILE SPECIFICATION TO BE CONFIRMED BY ARCHITECT